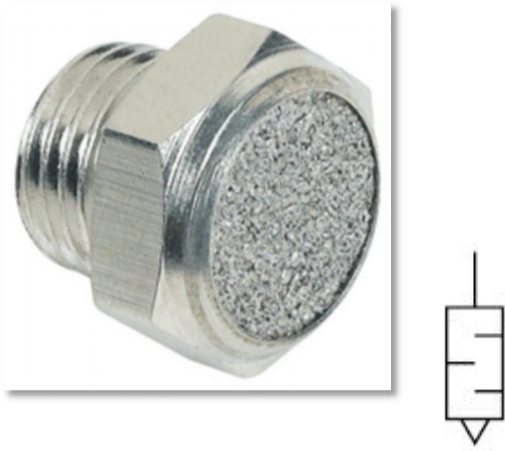


SSLM Sintered Stainless Steel Breather Vent Silencer



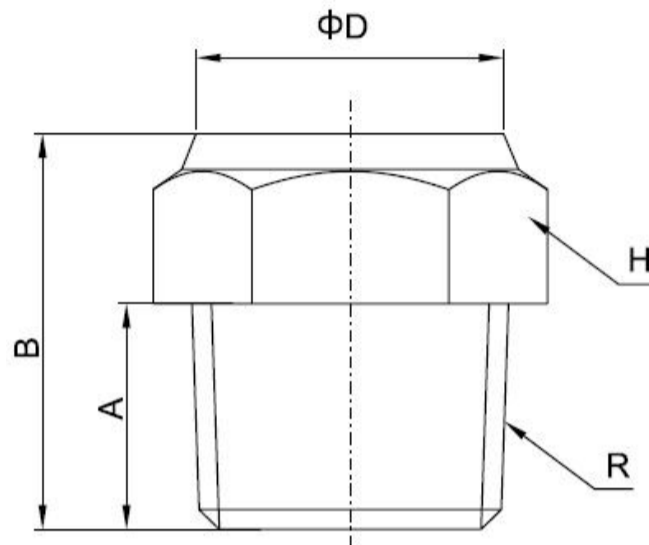
Body(noise absorbing material): Sintered Stainless Steel
Base(thread): Stainless Steel

Working Pressure: 0—1.0MPa | 0—150psi

Proof Pressure: 3.0Mpa | 435psi

Negative Pressure: -100Kpa | -29.5 In Hg

Working Temperature: -25°C~150°C | -13°F~302°F



PART NO.	Sound Pressure Level*	R	A(mm)	B(mm)	H(mm)
SSLM 01	90	R1/8	7	13	12
SSLM 02	93	R1/4	10	17	17
SSLM 03	101	R3/8	10.5	18.5	19
SSLM 04	95	R1/2	10	20	22
SSLM 06	110	R3/4	14	23	27
SSLM 08	110	R1	19.5	30	34
SSLM G01	90	G1/8	7	13	12
SSLM G02	93	G1/4	10	17	17
SSLM G03	101	G3/8	10.5	18.5	19
SSLM G04	95	G1/2	10	20	22
SSLM G06	110	G3/4	14	23	27
SSLM G08	110	G1	19.5	30	34
SSLM U10	85	10-32UNF	4	9	8
SSLM N01	90	1/8NPT	7	13	12
SSLM N02	93	1/4NPT	10	17	17
SSLM N03	101	3/8NPT	10.5	18.5	19
SSLM N04	95	1/2NPT	10	20	22
SSLM N06	110	3/4NPT	14	23	27
SSLM N08	110	1NPT	19.5	30	34
SSLM M5 x 0.8	85	M5 x 0.8	4.5	9	8
SSLM M6 x 1	85	M6 x 1	4.5	9	8
SSLM M8 x 1	90	M8 x 1	7	13	12
SSLM M8 x 1.25	90	M8 x 1.25	7	13	12
SSLM M10 x 1	90	M10 x 1	7	13	12
SSLM M10 x 1.25	90	M10 x 1.25	7	13	12
SSLM M12 x 1.25	93	M12 x 1.25	10	17	17
SSLM M14 x 1.5	93	M14 x 1.5	10	17	17
SSLM M16 x 1.5	101	M16 x 1.5	10.5	18.5	19
SSLM M20 x 1.5	95	M20 x 1.5	10	20	22

* Sound pressure level measured at 6 bar at 1 m distance.

** Information contained herein may be changed without prior notification.