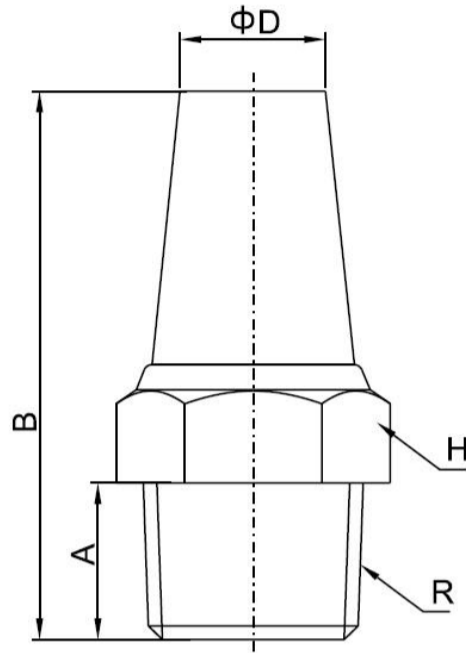


SSL Standard Sintered Stainless Steel Silencer



Body(noise absorbing material): Sintered Stainless Steel
Base(thread): Stainless Steel

Working Pressure: 0—1.0MPa | 0—150psi

Proof Pressure: 3.0Mpa | 435psi

Negative Pressure: -100Kpa | -29.5 In Hg

Working Temperature: -25°C~150°C | -13°F~302°F

PART NO.	Sound Pressure Level*	R	A(mm)	B(mm)	H(mm)
SSL 01	90	R1/8	7	25	12
SSL 02	93	R1/4	10	34	17
SSL 03	101	R3/8	10.5	44	19
SSL 04	95	R1/2	10	45	22
SSL 06	110	R3/4	14	55	27
SSL 08	110	R1	19.5	68	34
SSL G01	90	G1/8	7	25	12
SSL G02	93	G1/4	10	34	17
SSL G03	101	G3/8	10.5	44	19
SSL G04	95	G1/2	10	45	22
SSL G06	110	G3/4	14	55	27
SSL G08	110	G1	19.5	68	34
SSL U10	85	10-32UNF	4	24	8
SSL N01	90	1/8NPT	7	25	12
SSL N02	93	1/4NPT	10	34	17
SSL N03	101	3/8NPT	10.5	44	19
SSL N04	95	1/2NPT	10	45	22
SSL N06	110	3/4NPT	14	55	27
SSL N08	110	1NPT	19.5	68	34
SSL M5 x 0.8	85	M5 x 0.8	4	24	8
SSL M6 x 1	85	M6 x 1	4.1	24.1	8
SSL M8 x 1	90	M8 x 1	7	25	12
SSL M8 x 1.25	90	M8 x 1.25	7	25	12
SSL M10 x 1	90	M10 x 1	7	25	12
SSL M10 x 1.25	90	M10 x 1.25	7	25	12
SSL M12 x 1.25	93	M12 x 1.25	10	34	17
SSL M14 x 1.5	93	M14 x 1.5	10	34	17
SSL M16 x 1.5	101	M16 x 1.5	10.5	44	19
SSL M20 x 1.5	95	M20 x 1.5	10	45	22

* Sound pressure level measured at 6 bar at 1 m distance.

** Information contained herein may be changed without prior notification.