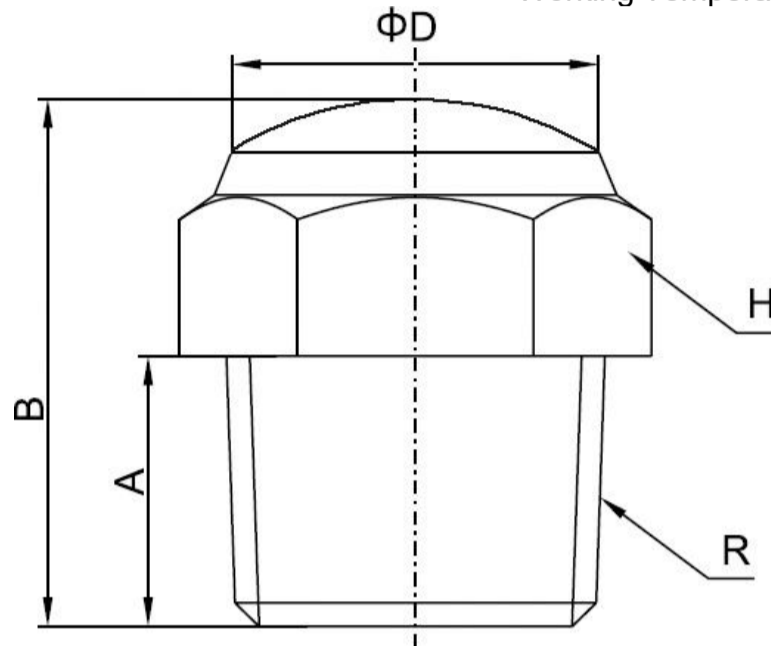


## SSLV Stainless Steel Silencer with Mesh



Body(noise absorbing material): Stainless Steel Mesh  
Base(thread): Stainless Steel

Working Pressure: 0—1.0MPa | 0—150psi

Proof Pressure: 3.0Mpa | 435psi

Negative Pressure: -100Kpa | -29.5 In Hg

Working Temperature: -25°C~150°C | -13°F~302°F

PART NO.	Sound Pressure Level*	R	A(mm)	B(mm)	H(mm)
SSLV 01	90	R1/8	7	15	12
SSLV 02	93	R1/4	10	20	17
SSLV 03	101	R3/8	10.5	20	19
SSLV 04	95	R1/2	10	22	22
SSLV 06	110	R3/4	14	24	27
SSLV 08	110	R1	19.5	32	34
SSLV G01	90	G1/8	7	15	12
SSLV G02	93	G1/4	10	20	17
SSLV G03	101	G3/8	10.5	20	19
SSLV G04	95	G1/2	10	22	22
SSLV G06	110	G3/4	14	24	27
SSLV G08	110	G1	19.5	32	34
SSLV U10	85	10-32UNF	4	9	8
SSLV N01	90	1/8NPT	7	15	12
SSLV N02	93	1/4NPT	10	20	17
SSLV N03	101	3/8NPT	10.5	20	19
SSLV N04	95	1/2NPT	10	22	22
SSLV N06	110	3/4NPT	14	24	27
SSLV N08	110	1NPT	19.5	32	34
SSLV M5 x 0.8	85	M5 x 0.8	4.5	11.5	8
SSLV M6 x 1	85	M6 x 1	4.5	11.5	8
SSLV M8 x 1	90	M8 x 1	7	15	12
SSLV M8 x 1.25	90	M8 x 1.25	7	15	12
SSLV M10 x 1	90	M10 x 1	7	15	12
SSLV M10 x 1.25	90	M10 x 1.25	7	15	12
SSLV M12 x 1.25	93	M12 x 1.25	10	20	17
SSLV M14 x 1.5	93	M14 x 1.5	10	20	17
SSLV M16 x 1.5	101	M16 x 1.5	10.5	20	19
SSLV M20 x 1.5	95	M20 x 1.5	10	22	22

\* Sound pressure level measured at 6 bar at 1 m distance.

\*\* Information contained herein may be changed without prior notification.