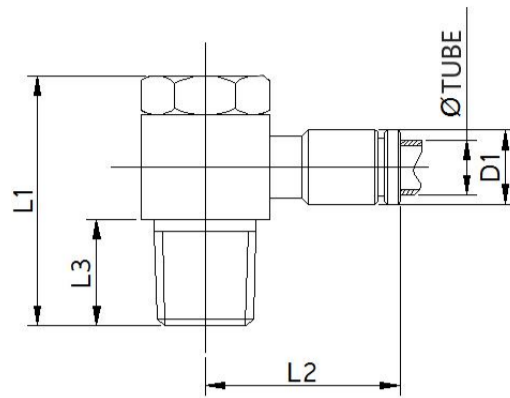


SPH Male Banjo Elbow - Stainless Steel Push in Fittings



Material: 316 Stainless Steel
Fluid Admitted: Air, Water, Steam, and Other Liquid
Working Pressure: 0~2.0MPa | 0~290psi
Proof Pressure: 3.0Mpa | 435psi
Negative Pressure: -100Kpa | -29.5 In Hg
Working Temperature: 20~150°C | -4~302°F
Applicable Tube: PU / PA / Teflon Tubing
Seal, O-ring: FKM (Viton)

Metric Tubing to R, BSPT Thread Male Banjo Elbow Stainless Steel Push in Fittings

PART NO.	Tube ØD	R	L3	L1(mm)	L2(mm)	D1(mm)
SPH 04-01	4	R1/8	8	26	26	9
SPH 04-02	4	R1/4	11	30	27	9
SPH 06-01	6	R1/8	8	26	26	11
SPH 06-02	6	R1/4	11	30	28	11
SPH 08-01	8	R1/8	8	26	30	13.6
SPH 08-02	8	R1/4	11	30	31	13.6
SPH 08-03	8	R3/8	11	30	34	13.6
SPH 08-04	8	R1/2	14	40	35	13.6
SPH 10-02	10	R1/4	11	30	35	15.6
SPH 10-03	10	R3/8	11	30	35	15.6
SPH 10-04	10	R1/2	14	40	35	15.6
SPH 12-02	12	R1/4	11	30	36	18.6
SPH 12-03	12	R3/8	11	30	38	18.6
SPH 12-04	12	R1/2	14	40	38	18.6

Inch Tubing to R, BSPT Thread Male Banjo Elbow Stainless Steel Push in Fittings

PART NO.	Tube ØD	R	L3	L1(mm)	L2(mm)	D1(mm)
SPH 5/32-01	5/32"	R1/8	8	26	26	9
SPH 5/32-02	5/32	R1/4	11	30	27	9
SPH 1/4-01	1/4"	R1/8	8	26	26	11
SPH 1/4-02	1/4"	R1/4	11	30	28	11
SPH 5/16-01	5/16"	R1/8	8	26	30	13.6
SPH 5/16-02	5/16"	R1/4	11	30	31	13.6
SPH 5/16-03	5/16"	R3/8	11	30	34	13.6
SPH 5/16-04	5/16"	R1/2	14	40	35	13.6
SPH 3/8-02	3/8"	R1/4	11	30	35	15.6
SPH 3/8-03	3/8"	R3/8	11	30	35	15.6
SPH 3/8-04	3/8"	R1/2	14	40	35	15.6
SPH 1/2-02	1/2"	R1/4	11	30	36	18.6
SPH 1/2-03	1/2"	R3/8	11	30	38	18.6
SPH 1/2-04	1/2"	R1/2	14	40	38	18.6

Inch Tubing to NPT Thread Male Banjo Elbow Stainless Steel Push in Fittings

PART NO.	Tube ØD	R	L3	L1(mm)	L2(mm)	D1(mm)
SPH 5/32-N01	5/32"	1/8 NPT	8	26	26	9
SPH 5/32-N02	5/32"	1/4 NPT	11	30	27	9
SPH 1/4-N01	1/4"	1/8 NPT	8	26	26	11
SPH 1/4-N02	1/4"	1/4 NPT	11	30	28	11
SPH 5/16-N01	5/16"	1/8 NPT	8	26	30	13.6
SPH 5/16-N02	5/16"	1/4 NPT	11	30	31	13.6
SPH 5/16-N03	5/16"	3/8 NPT	11	30	34	13.6
SPH 5/16-N04	5/16"	1/2 NPT	14	40	35	13.6
SPH 3/8-N02	3/8"	1/4 NPT	11	30	35	15.6
SPH 3/8-N03	3/8"	3/8 NPT	11	30	35	15.6
SPH 3/8-N04	3/8"	1/2 NPT	14	40	35	15.6
SPH 1/2-N02	1/2"	1/4 NPT	11	30	36	18.6
SPH 1/2-N03	1/2"	3/8 NPT	11	30	38	18.6
SPH 1/2-N04	1/2"	1/2 NPT	14	40	38	18.6

Metric Tubing to NPT Thread Male Banjo Elbow Stainless Steel Push in Fittings

PART NO.	Tube ØD	R	L3	L1(mm)	L2(mm)	D1(mm)
SPH 04-N01	4	1/8 NPT	8	26	26	9
SPH 04-N02	4	1/4 NPT	11	30	27	9
SPH 06-N01	6	1/8 NPT	8	26	26	11
SPH 06-N02	6	1/4 NPT	11	30	28	11
SPH 08-N01	8	1/8 NPT	8	26	30	13.6
SPH 08-N02	8	1/4 NPT	11	30	31	13.6
SPH 08-N03	8	3/8 NPT	11	30	34	13.6
SPH 08-N04	8	1/2 NPT	14	40	35	13.6
SPH 10-N02	10	1/4 NPT	11	30	35	15.6
SPH 10-N03	10	3/8 NPT	11	30	35	15.6
SPH 10-N04	10	1/2 NPT	14	40	35	15.6
SPH 12-N02	12	1/4 NPT	11	30	36	18.6
SPH 12-N03	12	3/8 NPT	11	30	38	18.6
SPH 12-N04	12	1/2 NPT	14	40	38	18.6