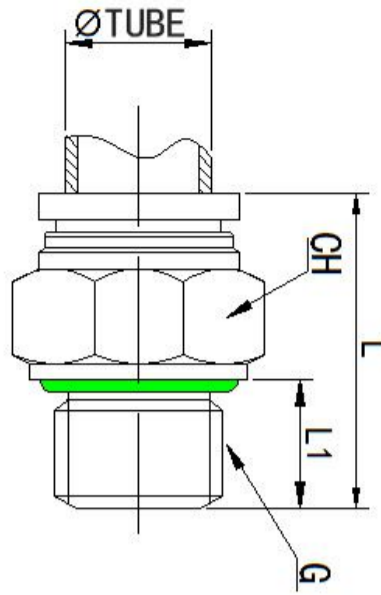


SPC-G Male Straight Connector - BSPP, G Thread Stainless Steel Push in Fittings



Material: 316 Stainless Steel
Fluid Admitted: Air, Water, Steam, and other liquid
Working Pressure: 0~2.0MPa | 0~290psi
Proof Pressure: 3.0Mpa | 435psi
Negative Pressure: -100Kpa | -29.5 In Hg
Working Temperature: 20~150°C | -4~302°F
Applicable Tube: PU / PA / Teflon Tubing
Seal, O-ring: FKM (Viton)

Metric Tubing to G, BSP, BSPP Thread Male Straight Connector Stainless Steel Push in Fittings

PART NO.	Tube ØD	G	L(mm)	L1(mm)	CH(mm)
SPC 04-G01	4	G1/8	23	6	14
SPC 04-G02	4	G1/4	23	7	17
SPC 06-G01	6	G1/8	23	6	14
SPC 06-G02	6	G1/4	24	7	17
SPC 06-G03	6	G3/8	24	7	19
SPC 06-G04	6	G1/2	25	8	24
SPC 08-G01	8	G1/8	25	6	14
SPC 08-G02	8	G1/4	25	7	17
SPC 08-G03	8	G3/8	25	7	19
SPC 08-G04	8	G1/2	25	8	24
SPC 10-G02	10	G1/4	27	7	17
SPC 10-G03	10	G3/8	25	7	19
SPC 10-G04	10	G1/2	25	8	24
SPC 12-G02	12	G1/4	27	7	19
SPC 12-G03	12	G3/8	25	7	19
SPC 12-G04	12	G1/2	25	8	24
SPC 14-G02	14	G1/4	27	7	22
SPC 14-G03	14	G3/8	27	7	22
SPC 14-G04	14	G1/2	25	8	24
SPC 16-G02	16	G1/4	28	7	24
SPC 16-G03	16	G3/8	28	7	24
SPC 16-G04	16	G1/2	25	8	24
SPC 5/32-G01	5/32"	G1/8	23	6	14
SPC 5/32-G02	5/32"	G1/4	23	7	17
SPC 1/4-G01	1/4"	G1/8	23	6	14
SPC 1/4-G02	1/4"	G1/4	24	7	17
SPC 1/4-G03	1/4"	G3/8	24	7	19
SPC 1/4-G04	1/4"	G1/2	25	8	24
SPC 5/16-G01	5/16"	G1/8	25	6	14
SPC 5/16-G02	5/16"	G1/4	25	7	17
SPC 5/16-G03	5/16"	G3/8	25	7	19
SPC 5/16-G04	5/16"	G1/2	25	8	24
SPC 3/8-G02	3/8"	G1/4	27	7	17
SPC 3/8-G03	3/8"	G3/8	25	7	19
SPC 3/8-G04	3/8"	G1/2	25	8	24
SPC 1/2-G02	1/2"	G1/4	27	7	19
SPC 1/2-G03	1/2"	G3/8	25	7	19
SPC 1/2-G04	1/2"	G1/2	25	8	24

Inch Tubing to G, BSP, BSPP Thread Male Straight Connector Stainless Steel Push in Fittings

PART NO.	Tube ØD	G	L(mm)	L1(mm)	CH(mm)
SPC 5/32-G01	5/32"	G1/8	23	6	14
SPC 5/32-G02	5/32"	G1/4	23	7	17
SPC 1/4-G01	1/4"	G1/8	23	6	14
SPC 1/4-G02	1/4"	G1/4	24	7	17
SPC 1/4-G03	1/4"	G3/8	24	7	19
SPC 1/4-G04	1/4"	G1/2	25	8	24
SPC 5/16-G01	5/16"	G1/8	25	6	14
SPC 5/16-G02	5/16"	G1/4	25	7	17
SPC 5/16-G03	5/16"	G3/8	25	7	19
SPC 5/16-G04	5/16"	G1/2	25	8	24
SPC 3/8-G02	3/8"	G1/4	27	7	17
SPC 3/8-G03	3/8"	G3/8	25	7	19
SPC 3/8-G04	3/8"	G1/2	25	8	24
SPC 1/2-G02	1/2"	G1/4	27	7	19
SPC 1/2-G03	1/2"	G3/8	25	7	19
SPC 1/2-G04	1/2"	G1/2	25	8	24