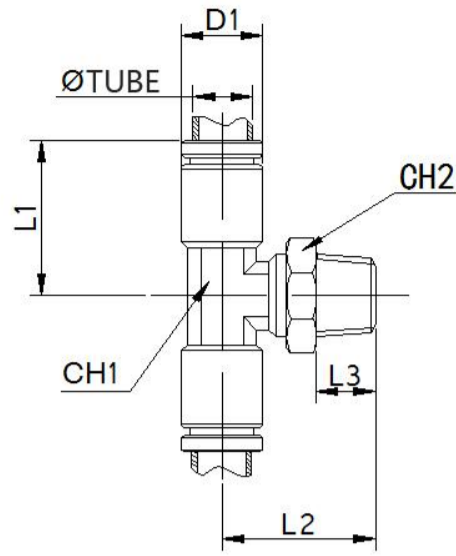


## SPB Male Branch Tee - Stainless Steel Push in Fittings



**Material:** 316 Stainless Steel  
**Fluid Admitted:** Air, Water, Steam, and Other Liquid  
**Working Pressure:** 0~2.0MPa | 0~290psi  
**Proof Pressure:** 3.0Mpa | 435psi  
**Negative Pressure:** -100Kpa | -29.5 In Hg  
**Working Temperature:** 20~150°C | -4~302°F  
**Applicable Tube:** PU / PA / Teflon Tubing  
**Seal, O-ring:** FKM (Viton)

### Metric Tubing to R, BSPT Thread Male Branch Tee Stainless Steel Push in Fittings

| PART NO.  | Tube ØD | R    | L1(mm) | L2(mm) | L3(mm) | D1(mm) | CH1(mm) | CH2(mm) |
|-----------|---------|------|--------|--------|--------|--------|---------|---------|
| SPB 04-M5 | 4       | M5   | 17     | 14     | 4      | 10.5   | 9.2     | 11      |
| SPB 04-01 | 4       | R1/8 | 17     | 17.5   | 8      | 10.5   | 9.2     | 11      |
| SPB 04-02 | 4       | R1/4 | 17     | 19.5   | 11     | 10.5   | 9.2     | 14      |
| SPB 06-M5 | 6       | M5   | 20     | 14     | 4      | 12.5   | 9.2     | 11      |
| SPB 06-01 | 6       | R1/8 | 20     | 18     | 8      | 12.5   | 9.2     | 11      |
| SPB 06-02 | 6       | R1/4 | 20     | 21     | 11     | 12.5   | 9.2     | 14      |
| SPB 06-03 | 6       | R3/8 | 20     | 21     | 11     | 12.5   | 9.2     | 17      |
| SPB 06-04 | 6       | R1/2 | 20     | 24     | 14     | 12.5   | 9.2     | 22      |
| SPB 08-01 | 8       | R1/8 | 22     | 21     | 8      | 14.5   | 11.2    | 14      |
| SPB 08-02 | 8       | R1/4 | 22     | 23     | 11     | 14.5   | 11.2    | 14      |
| SPB 08-03 | 8       | R3/8 | 22     | 23     | 11     | 14.5   | 11.2    | 17      |
| SPB 08-04 | 8       | R1/2 | 22     | 26     | 14     | 14.5   | 11.2    | 22      |
| SPB 10-02 | 10      | R1/4 | 26.5   | 28     | 11     | 17.5   | 13.2    | 17      |
| SPB 10-03 | 10      | R3/8 | 26.5   | 28     | 11     | 17.5   | 13.2    | 17      |
| SPB 10-04 | 10      | R1/2 | 26.5   | 31     | 14     | 17.5   | 13.2    | 22      |
| SPB 12-02 | 12      | R1/4 | 29     | 30.5   | 11     | 20.5   | 15.5    | 19      |
| SPB 12-03 | 12      | R3/8 | 29     | 32.5   | 11     | 20.5   | 15.5    | 19      |
| SPB 12-04 | 12      | R1/2 | 29     | 35.5   | 14     | 20.5   | 15.5    | 22      |
| SPB 14-02 | 14      | R1/4 | 33     | 32     | 11     | 22     | 20.6    | 22      |
| SPB 14-03 | 14      | R3/8 | 33     | 33     | 11     | 22     | 20.6    | 22      |
| SPB 14-04 | 14      | R1/2 | 33     | 36     | 14     | 22     | 20.6    | 22      |
| SPB 16-02 | 16      | R1/4 | 35     | 35     | 11     | 24     | 20.6    | 22      |
| SPB 16-03 | 16      | R3/8 | 35     | 35     | 11     | 24     | 20.6    | 22      |
| SPB 16-04 | 16      | R1/2 | 35     | 38     | 14     | 24     | 20.6    | 22      |

### Inch Tubing to R, BSPT Thread Male Branch Tee Stainless Steel Push in Fitting

| PART NO.    | Tube ØD | R    | L1(mm) | L2(mm) | L3(mm) | D1(mm) | CH1(mm) | CH2(mm) |
|-------------|---------|------|--------|--------|--------|--------|---------|---------|
| SPB 5/32-M5 | 5/32"   | M5   | 17     | 14     | 4      | 10.5   | 9.2     | 11      |
| SPB 5/32-01 | 5/32"   | R1/8 | 17     | 17.5   | 8      | 10.5   | 9.2     | 11      |
| SPB 5/32-02 | 5/32"   | R1/4 | 17     | 19.5   | 11     | 10.5   | 9.2     | 14      |
| SPB 1/4-M5  | 1/4"    | M5   | 20     | 14     | 4      | 12.5   | 9.2     | 11      |
| SPB 1/4-01  | 1/4"    | R1/8 | 20     | 18     | 8      | 12.5   | 9.2     | 11      |
| SPB 1/4-02  | 1/4"    | R1/4 | 20     | 21     | 11     | 12.5   | 9.2     | 14      |
| SPB 1/4-03  | 1/4"    | R3/8 | 20     | 21     | 11     | 12.5   | 9.2     | 17      |
| SPB 1/4-04  | 1/4"    | R1/2 | 20     | 24     | 14     | 12.5   | 9.2     | 22      |
| SPB 5/16-01 | 5/16"   | R1/8 | 22     | 21     | 8      | 14.5   | 11.2    | 14      |
| SPB 5/16-02 | 5/16"   | R1/4 | 22     | 23     | 11     | 14.5   | 11.2    | 14      |
| SPB 5/16-03 | 5/16"   | R3/8 | 22     | 23     | 11     | 14.5   | 11.2    | 17      |
| SPB 5/16-04 | 5/16"   | R1/2 | 22     | 26     | 14     | 14.5   | 11.2    | 22      |
| SPB 3/8-02  | 3/8"    | R1/4 | 26.5   | 28     | 11     | 17.5   | 13.2    | 17      |
| SPB 3/8-03  | 3/8"    | R3/8 | 26.5   | 28     | 11     | 17.5   | 13.2    | 17      |
| SPB 3/8-04  | 3/8"    | R1/2 | 26.5   | 31     | 14     | 17.5   | 13.2    | 22      |
| SPB 1/2-02  | 1/2"    | R1/4 | 29     | 30.5   | 11     | 20.5   | 15.5    | 19      |
| SPB 1/2-03  | 1/2"    | R3/8 | 29     | 32.5   | 11     | 20.5   | 15.5    | 19      |
| SPB 1/2-04  | 1/2"    | R1/2 | 29     | 35.5   | 14     | 20.5   | 15.5    | 22      |

### Inch Tubing to NPT Thread Male Branch Tee Stainless Steel Push in Fittings

| PART NO.     | Tube ØD | R         | L1(mm) | L2(mm) | L3(mm) | D1(mm) | CH1(mm) | CH2(mm) |
|--------------|---------|-----------|--------|--------|--------|--------|---------|---------|
| SPB 5/32-U10 | 5/32"   | 10-32 UNF | 17     | 14     | 4      | 10.5   | 9.2     | 11      |
| SPB 5/32-N01 | 5/32"   | 1/8 NPT   | 17     | 17.5   | 8      | 10.5   | 9.2     | 11      |
| SPB 5/32-N02 | 5/32"   | 1/4 NPT   | 17     | 19.5   | 11     | 10.5   | 9.2     | 14      |
| SPB 1/4-U10  | 1/4"    | 10-32 UNF | 20     | 14     | 4      | 12.5   | 9.2     | 11      |
| SPB 1/4-N01  | 1/4"    | 1/8 NPT   | 20     | 18     | 8      | 12.5   | 9.2     | 11      |
| SPB 1/4-N02  | 1/4"    | 1/4 NPT   | 20     | 21     | 11     | 12.5   | 9.2     | 14      |
| SPB 1/4-N03  | 1/4"    | 3/8 NPT   | 20     | 21     | 11     | 12.5   | 9.2     | 17      |
| SPB 1/4-N04  | 1/4"    | 1/2 NPT   | 20     | 24     | 14     | 12.5   | 9.2     | 22      |
| SPB 5/16-N01 | 5/16"   | 1/8 NPT   | 22     | 21     | 8      | 14.5   | 11.2    | 14      |
| SPB 5/16-N02 | 5/16"   | 1/4 NPT   | 22     | 23     | 11     | 14.5   | 11.2    | 14      |
| SPB 5/16-N03 | 5/16"   | 3/8 NPT   | 22     | 23     | 11     | 14.5   | 11.2    | 17      |
| SPB 5/16-N04 | 5/16"   | 1/2 NPT   | 22     | 26     | 14     | 14.5   | 11.2    | 22      |
| SPB 3/8-N02  | 3/8"    | 1/4 NPT   | 26.5   | 28     | 11     | 17.5   | 13.2    | 17      |
| SPB 3/8-N03  | 3/8"    | 3/8 NPT   | 26.5   | 28     | 11     | 17.5   | 13.2    | 17      |
| SPB 3/8-N04  | 3/8"    | 1/2 NPT   | 26.5   | 31     | 14     | 17.5   | 13.2    | 22      |
| SPB 1/2-N02  | 1/2"    | 1/4 NPT   | 29     | 30.5   | 11     | 20.5   | 15.5    | 19      |
| SPB 1/2-N03  | 1/2"    | 3/8 NPT   | 29     | 32.5   | 11     | 20.5   | 15.5    | 19      |
| SPB 1/2-N04  | 1/2"    | 1/2 NPT   | 29     | 35.5   | 14     | 20.5   | 15.5    | 22      |

### Metric Tubing to NPT Thread Male Branch Tee Stainless Steel Push in Fittings

| PART NO.   | Tube ØD | R         | L1(mm) | L2(mm) | L3(mm) | D1(mm) | CH1(mm) | CH2(mm) |
|------------|---------|-----------|--------|--------|--------|--------|---------|---------|
| SPB 04-U10 | 4       | 10-32 UNF | 17     | 14     | 4      | 10.5   | 9.2     | 11      |
| SPB 04-N01 | 4       | 1/8 NPT   | 17     | 17.5   | 8      | 10.5   | 9.2     | 11      |
| SPB 04-N02 | 4       | 1/4 NPT   | 17     | 19.5   | 11     | 10.5   | 9.2     | 14      |
| SPB 06-U10 | 6       | 10-32 UNF | 20     | 14     | 4      | 12.5   | 9.2     | 11      |
| SPB 06-N01 | 6       | 1/8 NPT   | 20     | 18     | 8      | 12.5   | 9.2     | 11      |
| SPB 06-N02 | 6       | 1/4 NPT   | 20     | 21     | 11     | 12.5   | 9.2     | 14      |
| SPB 06-N03 | 6       | 3/8 NPT   | 20     | 21     | 11     | 12.5   | 9.2     | 17      |
| SPB 06-N04 | 6       | 1/2 NPT   | 20     | 24     | 14     | 12.5   | 9.2     | 22      |
| SPB 08-N01 | 8       | 1/8 NPT   | 22     | 21     | 8      | 14.5   | 11.2    | 14      |
| SPB 08-N02 | 8       | 1/4 NPT   | 22     | 23     | 11     | 14.5   | 11.2    | 14      |
| SPB 08-N03 | 8       | 3/8 NPT   | 22     | 23     | 11     | 14.5   | 11.2    | 17      |
| SPB 08-N04 | 8       | 1/2 NPT   | 22     | 26     | 14     | 14.5   | 11.2    | 22      |
| SPB 10-N02 | 10      | 1/4 NPT   | 26.5   | 28     | 11     | 17.5   | 13.2    | 17      |
| SPB 10-N03 | 10      | 3/8 NPT   | 26.5   | 28     | 11     | 17.5   | 13.2    | 17      |
| SPB 10-N04 | 10      | 1/2 NPT   | 26.5   | 31     | 14     | 17.5   | 13.2    | 22      |
| SPB 12-N02 | 12      | 1/4 NPT   | 29     | 30.5   | 11     | 20.5   | 15.5    | 19      |
| SPB 12-N03 | 12      | 3/8 NPT   | 29     | 32.5   | 11     | 20.5   | 15.5    | 19      |
| SPB 12-N04 | 12      | 1/2 NPT   | 29     | 35.5   | 14     | 20.5   | 15.5    | 22      |
| SPB 14-N02 | 14      | 1/4 NPT   | 33     | 32     | 11     | 22     | 20.6    | 22      |
| SPB 14-N03 | 14      | 3/8 NPT   | 33     | 33     | 11     | 22     | 20.6    | 22      |
| SPB 14-N04 | 14      | 1/2 NPT   | 33     | 36     | 14     | 22     | 20.6    | 22      |
| SPB 16-N02 | 16      | 1/4 NPT   | 35     | 35     | 11     | 24     | 20.6    | 22      |
| SPB 16-N03 | 16      | 3/8 NPT   | 35     | 35     | 11     | 24     | 20.6    | 22      |
| SPB 16-N04 | 16      | 1/2 NPT   | 35     | 38     | 14     | 24     | 20.6    | 22      |