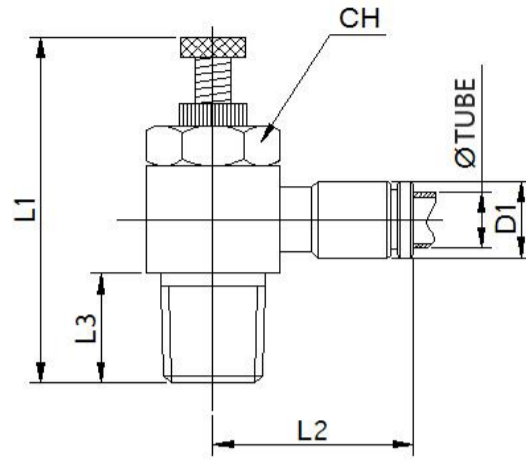


SJSC Flow Control Valve - Stainless Steel Push in Fittings



Material: 316 Stainless Steel
Fluid Admitted: Air, Water, Steam, and Other Liquid
Working Pressure: 0~2.0MPa | 0~290psi
Proof Pressure: 3.0Mpa | 435psi
Negative Pressure: -100Kpa | -29.5 In Hg
Working Temperature: 20~150°C | -4~302°F
Applicable Tube: PU / PA / Teflon Tubing
Seal, O-ring: FKM (Viton)

Metric Tubing to R, BSPT Thread Flow Control Valve Stainless Steel Push in Fittings

PART NO.	Tube ØD	R	L1(mm)	L2(mm)	L3(mm)	D1(mm)	CH(mm)
SJSC 04-01	4	R1/8	39	28	7.5	10.5	12
SJSC 04-02	4	R1/4	45	30	9.5	10.5	14
SJSC 06-01	6	R1/8	39	28	7.5	12.5	12
SJSC 06-02	6	R1/4	45	30	9.5	12.5	14
SJSC 08-01	8	R1/8	39	30	7.5	14.5	12
SJSC 08-02	8	R1/4	45	32	9.5	14.5	14
SJSC 08-03	8	R3/8	56	33	10.5	14.5	19
SJSC 08-04	8	R1/2	56	35	12.5	14.5	22
SJSC 10-02	10	R1/4	45	34	9.5	17.5	14
SJSC 10-03	10	R3/8	56	35	10.5	17.5	19
SJSC 10-04	10	R1/2	56	37	12.5	17.5	22
SJSC 12-02	12	R1/4	45	36	9.5	20.5	14
SJSC 12-03	12	R3/8	56	38	10.5	20.5	19
SJSC 12-04	12	R1/2	56	40	12.5	20.5	22

Inch Tubing to R, BSPT Thread Flow Control Valve Stainless Steel Push in Fittings

PART NO.	Tube ØD	R	L1(mm)	L2(mm)	L3(mm)	D1(mm)	CH(mm)
SJSC 5/32-01	5/32"	R1/8	39	28	7.5	10.5	12
SJSC 5/32-02	5/32	R1/4	45	30	9.5	10.5	14
SJSC 1/4-01	1/4"	R1/8	39	28	7.5	12.5	12
SJSC 1/4-02	1/4"	R1/4	45	30	9.5	12.5	14
SJSC 5/16-01	5/16"	R1/8	39	30	7.5	14.5	12
SJSC 5/16-02	5/16"	R1/4	45	32	9.5	14.5	14
SJSC 5/16-03	5/16"	R3/8	56	33	10.5	14.5	19
SJSC 5/16-04	5/16"	R1/2	56	35	12.5	14.5	22
SJSC 3/8-02	3/8"	R1/4	45	34	9.5	17.5	14
SJSC 3/8-03	3/8"	R3/8	56	35	10.5	17.5	19
SJSC 3/8-04	3/8"	R1/2	56	37	12.5	17.5	22
SJSC 1/2-02	1/2"	R1/4	45	36	9.5	20.5	14
SJSC 1/2-03	1/2"	R3/8	56	38	10.5	20.5	19
SJSC 1/2-04	1/2"	R1/2	56	40	12.5	20.5	22

Inch Tubing to NPT Thread Flow Control Valve Stainless Steel Push in Fittings

PART NO.	Tube ØD	R	L1(mm)	L2(mm)	L3(mm)	D1(mm)	CH(mm)
SJSC 5/32-N01	5/32"	1/8 NPT	39	28	7.5	10.5	12
SJSC 5/32-N02	5/32	1/4 NPT	45	30	9.5	10.5	14
SJSC 1/4-N01	1/4"	1/8 NPT	39	28	7.5	12.5	12
SJSC 1/4-N02	1/4"	1/4 NPT	45	30	9.5	12.5	14
SJSC 5/16-N01	5/16"	1/8 NPT	39	30	7.5	14.5	12
SJSC 5/16-N02	5/16"	1/4 NPT	45	32	9.5	14.5	14
SJSC 5/16-N03	5/16"	3/8 NPT	56	33	10.5	14.5	19
SJSC 5/16-N04	5/16"	1/2 NPT	56	35	12.5	14.5	22
SJSC 3/8-N02	3/8"	1/4 NPT	45	34	9.5	17.5	14
SJSC 3/8-N03	3/8"	3/8 NPT	56	35	10.5	17.5	19
SJSC 3/8-N04	3/8"	1/2 NPT	56	37	12.5	17.5	22
SJSC 1/2-N02	1/2"	1/4 NPT	45	36	9.5	20.5	14
SJSC 1/2-N03	1/2"	3/8 NPT	56	38	10.5	20.5	19
SJSC 1/2-N04	1/2"	1/2 NPT	56	40	12.5	20.5	22

Metric Tubing to NPT Thread Flow Control Valve Stainless Steel Push in Fittings

PART NO.	Tube ØD	R	L1(mm)	L2(mm)	L3(mm)	D1(mm)	CH(mm)
SJSC 04-N01	4	1/8 NPT	39	28	7.5	10.5	12
SJSC 04-N02	4	1/4 NPT	45	30	9.5	10.5	14
SJSC 06-N01	6	1/8 NPT	39	28	7.5	12.5	12
SJSC 06-N02	6	1/4 NPT	45	30	9.5	12.5	14
SJSC 08-N01	8	1/8 NPT	39	30	7.5	14.5	12
SJSC 08-N02	8	1/4 NPT	45	32	9.5	14.5	14
SJSC 08-N03	8	3/8 NPT	56	33	10.5	14.5	19
SJSC 08-N04	8	1/2 NPT	56	35	12.5	14.5	22
SJSC 10-N02	10	1/4 NPT	45	34	9.5	17.5	14
SJSC 10-N03	10	3/8 NPT	56	35	10.5	17.5	19
SJSC 10-N04	10	1/2 NPT	56	37	12.5	17.5	22
SJSC 12-N02	12	1/4 NPT	45	36	9.5	20.5	14
SJSC 12-N03	12	3/8 NPT	56	38	10.5	20.5	19
SJSC 12-N04	12	1/2 NPT	56	40	12.5	20.5	22